

2-way cassette

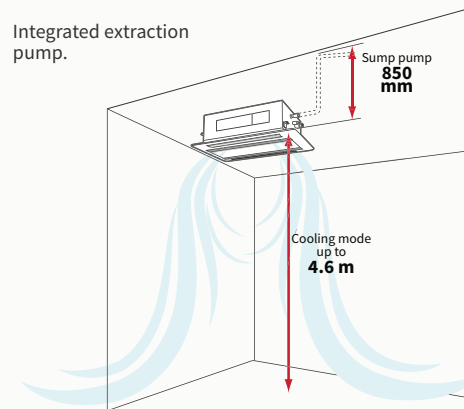
Reversible system 2.20 – 16 kW (R32/R410A)



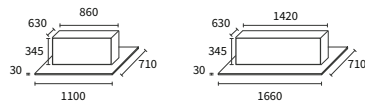
+ SERVICES

Installation time

Integrated extraction pump.



Indoor units



RCD-0.8FSR
RCD-1.0FSR
RCD-1.5FSR
RCD-2.0FSR
RCD-2.5FSR
RCD-3.0FSR

RCD-4.0FSR
RCD-5.0FSR
RCD-6.0FSR

Compatible controls and accessories

Individual checks



Simple wired controller
Model: PC-ARC-E



Infrared controller
Model: PC-AWR



Intuitive multifunction cable control
Model: PC-ARFG2-E(B)



Remote sensor
Model: THM R2AE



Infrared receiver
Model: PC-ALHD1 (to be integrated)
Model: PC-ALHZ1 (external)



Connectors
Model: PCC 1A



Motion sensor
Model: SOR-NED



Fresh air kit
Model: PD-150D

+ APPRAISAL

Energy savings

The motion sensor (optional) automatically optimizes the level of comfort while limiting the energy consumption in rooms only occupied occasionally.

+ COMFORT AND FLEXIBILITY

Low noise level

The noise level is very low (up to 27 dB(A)).

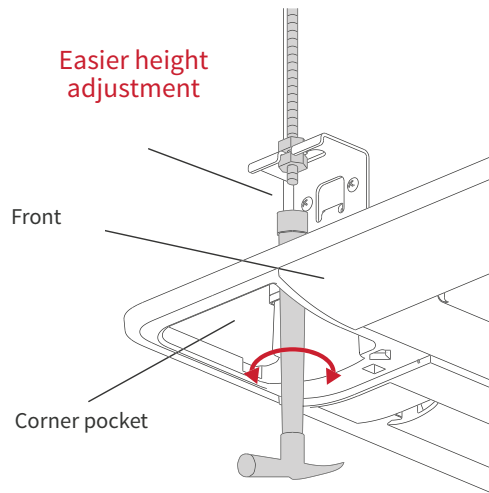
Stand-out solution

Our range of 2-way cassettes, available from 2.2 to 16 kW, is suitable for installations in adjacent rooms. It features the FrostWash function for cleaning the heat exchanger, ensuring better air quality and maintaining performance over time.

Indoor units	Unit	RCD-0.8FSR	RCD-1.0FSR	RCD-1.5FSR	RCD-2.0FSR	RCD-2.5FSR	RCD-3.0FSR	RCD-4.0FSR	RCD-5.0FSR	RCD-6.0FSR	
Power (adjustable)	hp (horsepower)	0.80	1.00	1.30 – 1.50	1.80 – 2.00	2.30 – 2.50	3.00	4.00	5.00	6.00	
Capacity Cooling UTOPIA Prime & IVX	kW	2.00	2.50	3.60	5.00	5.60	7.10	10.00	12.50	14.00	
Capacity Heating UTOPIA Prime & IVX	kW	2.20	2.80	4.00	5.60	6.30	8.00	11.20	14.00	16.00	
Capacity Cooling SET FREE	kW	2.20	2.80	3.80 – 4.00	5.20 – 5.60	6.70 – 7.10	8.00	11.20	14.00	16.00	
Capacity Heating SET FREE	kW	2.50	3.20	4.20 – 4.80	5.60 – 6.30	7.50 – 8.50	9.00	12.50	16.00	18.00	
Noise level in Cooling mode (pressure) (low/medium/high speed1/high speed2) ⁽¹⁾⁽²⁾	dB(A)	27/28/29/30	27/28/29/31	30/31/34/37	30/33/36/39	33/36/39/42	33/38/42/45	34/37/40/43	35/41/44/47	39/42/45/48	
Sound power	dB(A)	44	46	49	51	52	55	55	55	59	
Airflow in Cooling mode (low/medium/high speed1/high speed2) ⁽³⁾	m ³ /h	390/450/540/600	420/510/570/660	600/690/780/900	630/750/870/990	750/870/990/1110	750/960/1110/1260	1200/1380/1590/1800	1260/1620/1860/2100	1440/1710/1950/2220	
Condensing pump	-	yes									
Max. elevation	mm	850									
Diameter of cooling pipes (Liq/Gas)	inches	1/4 - 1/2					3/8 - 5/8				
Condensate outlet diameter (ext.)	mm	32									
Box dimensions (HxLxD)	mm	345 x 860 x 630						345 x 1420 x 630			
Panel dimensions (HxLxD)	mm	30 x 1100 x 710						30 x 1660 x 710			
Weight of the box + panel	kg	23 + 7.50			25 + 7.50			39 + 10.50			
Power supply	-	1~ 230V 50 Hz									
Indoor unit power cable	-	3G1.5 mm ²									
Bus cable section (EN 60 335-1) ⁽²⁾	mm ²	2 x 0.75 shielded (LIYCY)									
Max. current	A	5									
Part number of the panel	-	P-AP90DNA						P-AP160DNA			

(1) Sound levels (pressure) are measured in an anechoic chamber at 1.50 m under the unit.
 (2) Data shown is for indication purposes only. It is the installer's responsibility to ensure that these Cable sections meet the needs of the facility.
 (3) Ultra-high-speed access is possible with the PC-ARFG2-E(B) remote controls.
 (4) Very low speed is available in Thermo-off mode.

Easy to install



You can have multiple contacts with the connector 1A: operating delay, fault delay, thermostat control, remote "on/off".